

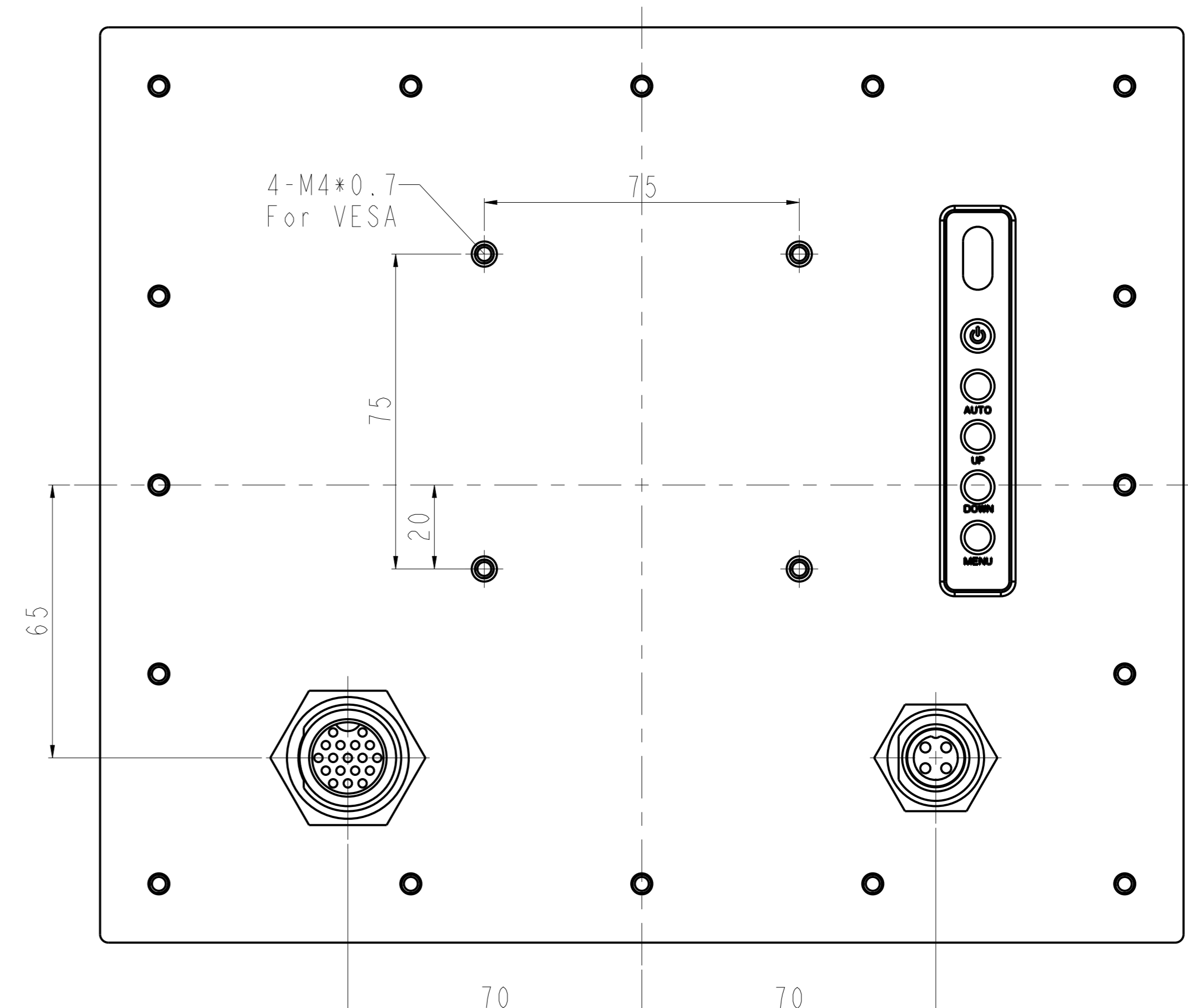
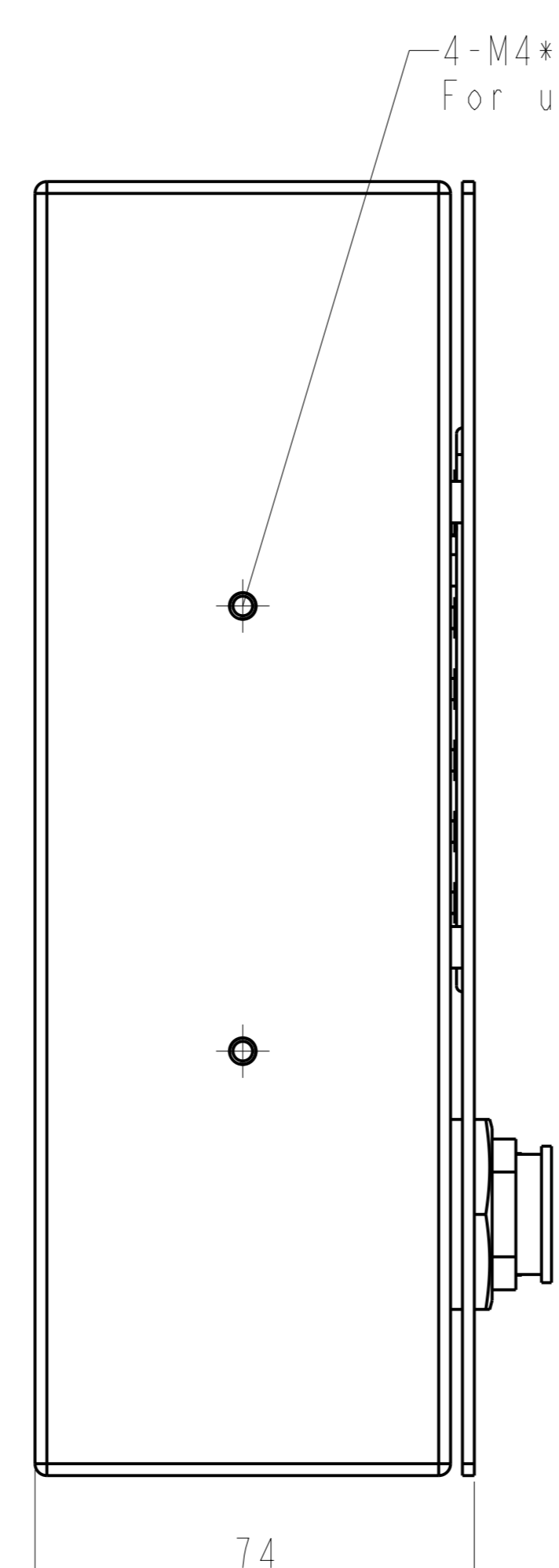
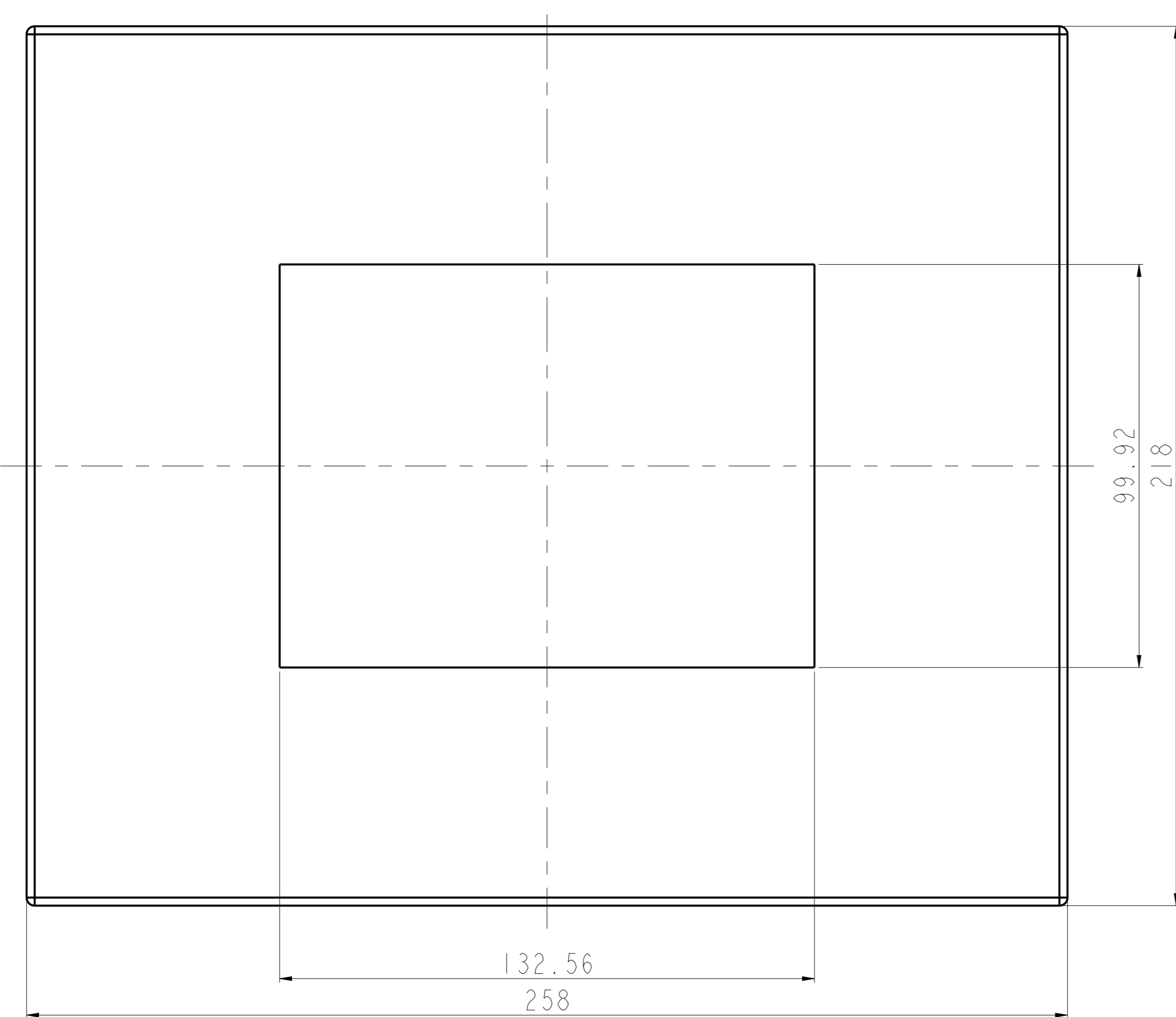
1 2 3 4 5

A A

B B

C C

D D



AD/BOARD		MODEL	FCH0656			Winsonic Electronics. Co., Ltd.					
INVERTER											
KEY PAD											
PANEL :	VERSION	MATERIAL	METAL	DATE	2014-May-07	PART NAME	ASSEMBLY	DRAWN	Chris	UNIT	MM
	V1									SCALE	1.000

1 2 3 4 5