



## DLO2126-A V1 MaxRGB

### 21.5" TFT LCD, LED Backlight 1200nits, MaxRGB, FHD(1920X1080)

The DLO2126-A is a 21.5 inch industrial grade sunlight readable and HCS (High Color Saturation) LCD, with high brightness 1,200 nits and high color saturation, it produce sharp images, crisp text and lifelike colors. The Durapixel LED backlight technology ensures high reliability and low power consumption, suitable for outdoor application, kiosk, factory automation, military, transportation and gaming application.

#### Key Features

- 21.5" sunlight readable, high brightness (1,200 nits)
- Resolutions: 1920 x 1080
- MaxRGB (NTSC 94%)
- Wide viewing angle of 178° (H), 178° (V)
- High color contrast ratio (4500:1)
- Low power consumption
- BL MTBF: 100,000 hours



### Specifications

Model Name	DLO2126-A V1 MaxRGB
Description	21.5" TFT LCD, LED Backlight 1,200nits, MaxRGB,FHD( 1920X1080)
Screen Size	21.5"
Display Area (mm)	476.64(H) x 268.11(V) mm
Brightness	1200 cd/m <sup>2</sup>
Resolution	1920 x 1080
Aspect Ratio	16 : 9
Contrast Ratio	4500 : 1
Pixel Pitch (mm)	0.24825(H) x 0.24825(V)
Pixel Pre Inch (PPI)	102
Viewing Angle	178°(H), 178°(V)
Color Saturation (NTSC)	94%
Display Colors	16.7M
Response Time (Typical)	25 ms
Dimensions (mm)	500.6x295.2x51.1
Bezel Size(U/B/L/R)	11.8/11.8/10.4/10.4 mm
Weight (Net)	4.3kg
Video Interface	DVI-I,DP
Power Consumption	55 W
OSD Key	4 Keys (Power Switch, Menu, +, -)
OSD Control	Brightness, Color, Contrast, Auto Turing, H/V Position...etc
Operating Temperature	0 °C ~ 50 °C
Storage Temperature	-20 °C ~ 60 °C

**DLF**= Panel+ LED Driving Board

**DLH**= Panel+ LED Driving Board + AD Control Board



Specifications are subject to change without notice.  
 All brands or product names are trademarks or registered trademarks of their respective companies.

## Mechanical Drawing

### Outline Dimensions

Unit: mm

Note :

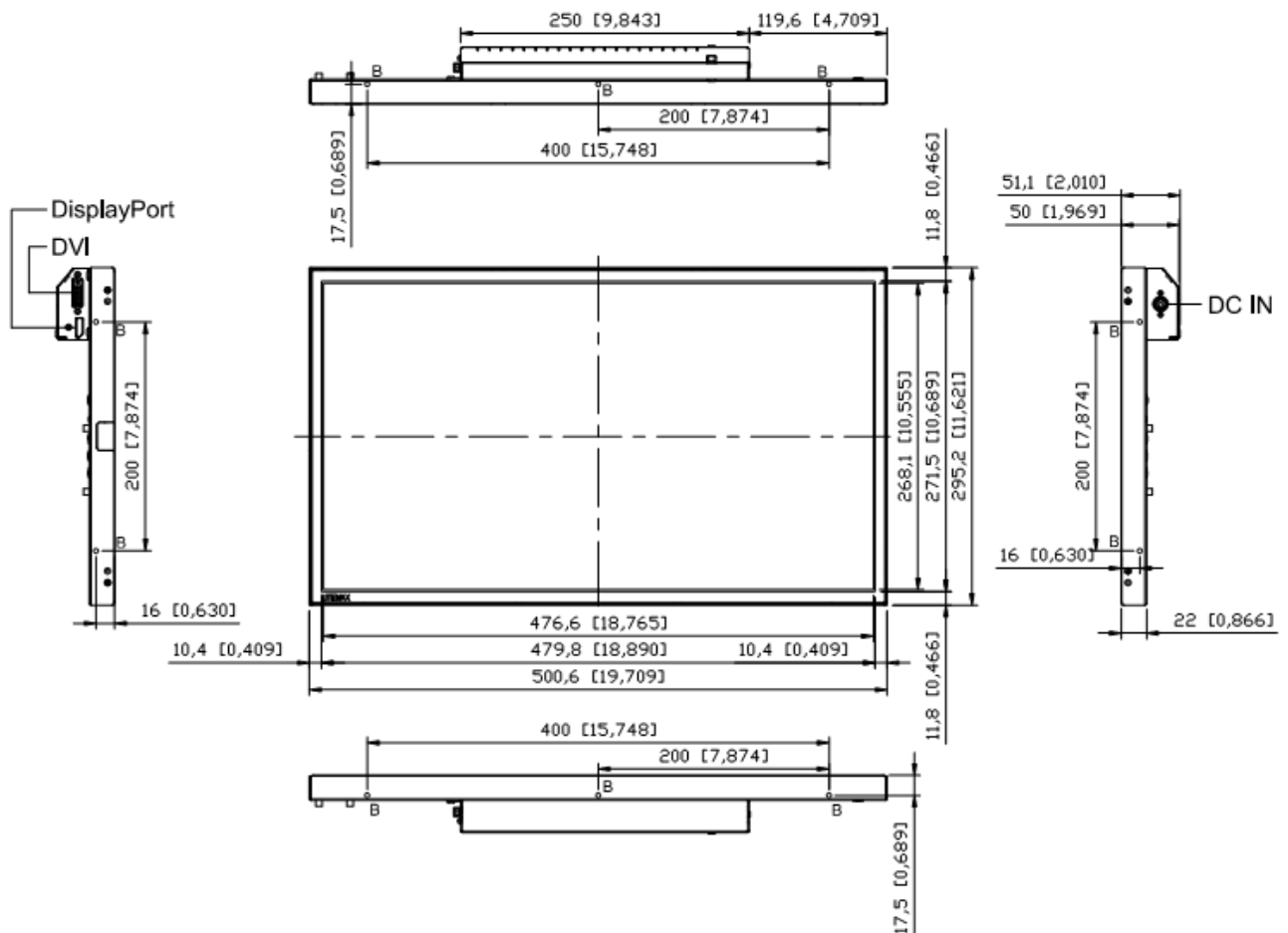
O.D : Outline Dimension

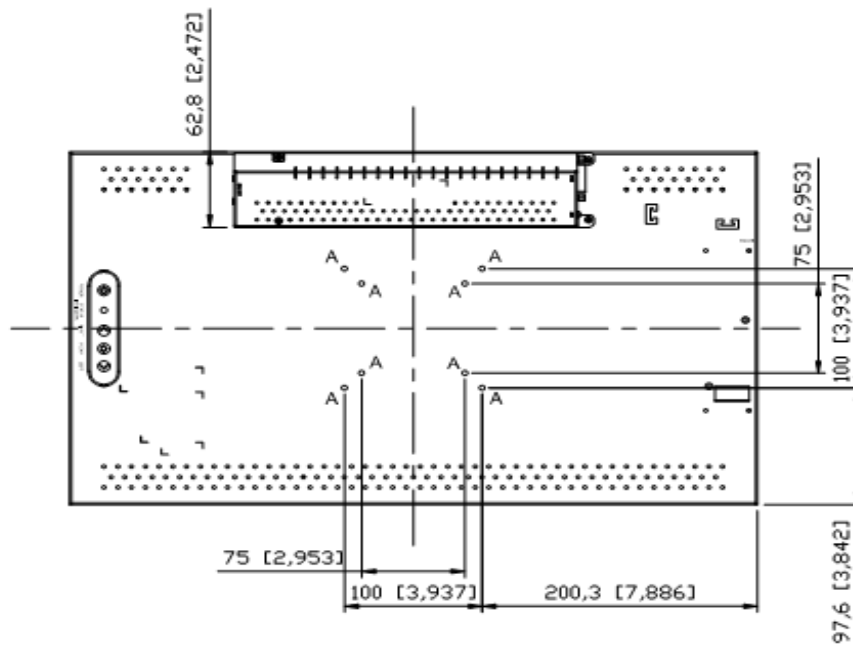
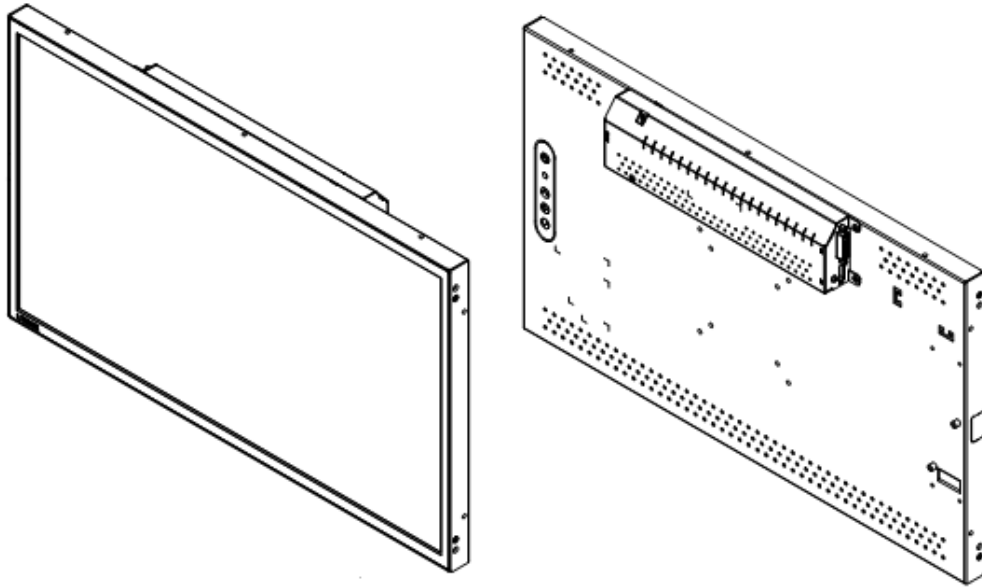
B.O : Bezel Opening

A.A : LCD Active Area

A:8-M4\_USER\_HOLE\_MAX\_DEPTH=6mm

B:10-M4\_USER\_HOLE\_MAX\_DEPTH=6mm







### Ordering Information

Part Number	Description
DLO2126-ANW-I01	21.5", 1200nits, FHD, MaxRGB. AD6038GDP+LID, O/B, DC12V, V1

### Optional Accessories

Part Number	Description
840612051210	ADAPTER, AC/DC, 12V/5.4A, 65W, Atech OEM A065112-TDx. 4P SLIDING CAP, P
810618301010	CABLE. POWER. AC. 1830mm USA type
810618301090	CABLE, POWER, AC, 1830mm Europe type
810618301050	CABLE. POWER. AC. 1830mm UK type
810618301170	CABLE. POWER, AC, 1830mm Australia type
810618301031	CABLE. POWER. AC. 1830mm Japan type

### By Customer Request

Touch	Resistive (Single-Touch), SCT (Single-Touch), PCT (Multi-Touch)
AOT	Liquid Bonding, OCA Bonding
Glass	Tempered glass, AR coating.....