



SLD2425

24" TFT LCD, Wide Viewing Angle, LED Backlight 1000nits,FHD(1920x1080)

24" TFT LCD panel, built-in 1000 nits high bright for sunlight readable LCD display, high transmittance color filter, high transmission polarizing plates, Low Power Consumption, suitable for kiosk, advertising, POS, marine, transportation, gaming, studio display, gas pump.

Key Features

- Sunlight Readable
- LED Backlight
- FHD(1920x1080) High Definition
- High Shock & Vibration Resistance
- Low Power Consumption
- Wide Viewing Angle
- High Uniformity
- Low EMI Noise
- Wide Dimming
- Life Expectancy
- Wide Operation Temperature (-20~70 °C)



Specifications

V1

Model No.	SLD2425
Description	24" TFT LCD, LED Backlight 1000nits,FHD(1920x1080)
Display Area (mm)	531.36 x 298.89 mm
Brightness	1000 cd/m ²
Resolution	1920x1080 (FHD)
Contrast Ratio	5000 : 1
Pixel Pitch (mm)	0.276(H) x 0.276(V)
Viewing Angle	+89°~-89°(H), +89°~-89°(V)
Display Colors	16.7M
Response Time (Typical)	25ms
Sync	LVDS
Power Consumption	38W
Dimensions (mm)	558.4(W)x325.6(H)x36.5(D)
Weight (Net)	4Kg
LED Driving Board	LID24
Control Board (Optional)	<input type="checkbox"/> AD2662GD <input type="checkbox"/> AD2662GDVAR
<input type="checkbox"/> AD2662GD	VGA+DVI
<input type="checkbox"/> AD2662GDVAR	VGA+DVI (Optional S-Video/ Component / Audio)
F / R Control Button	<input type="checkbox"/> 4 Key
<input type="checkbox"/> 4 Key	Power Switch, Menu, Select (+,-),
OSD Menu	Brightness, Contrast, H/V Position, Color, Phase, Clock...
Optional	<input type="checkbox"/> AOT <input type="checkbox"/> Touch Screen

Specifications are subject to change without notice.

All brands or product names are trademarks or registered trademarks of their respective companies.

SLD= Panel+LED Driving Board+Control Board

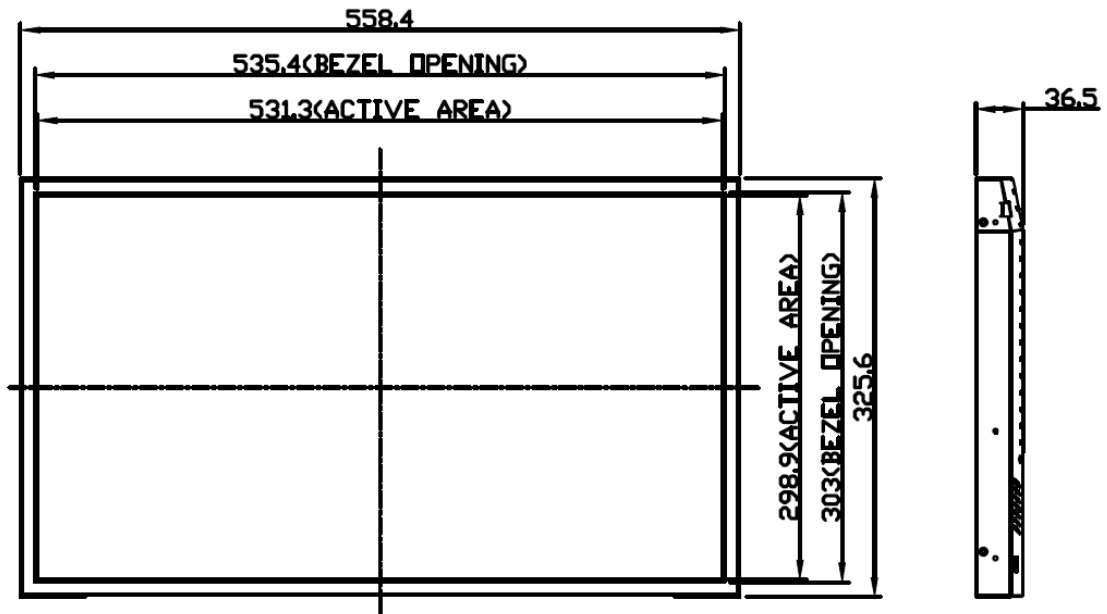


Mechanical Drawing

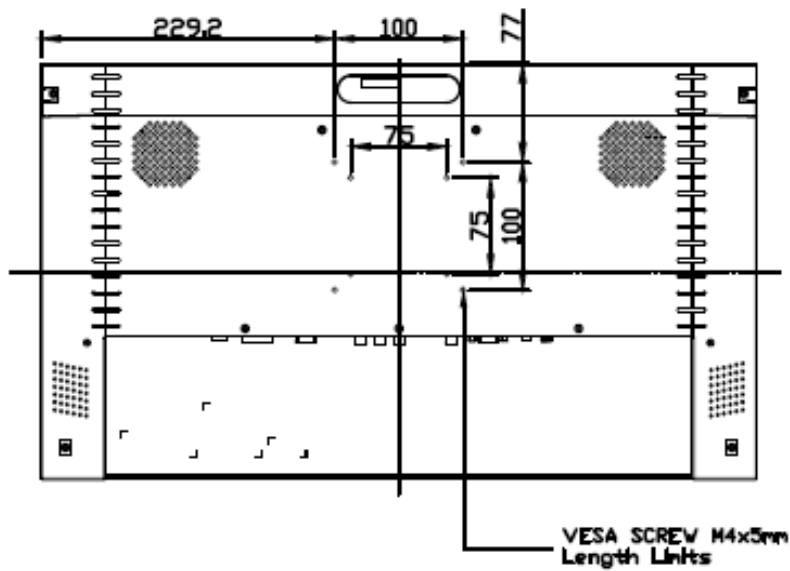
Outline Dimensions

Unit:mm

Front View

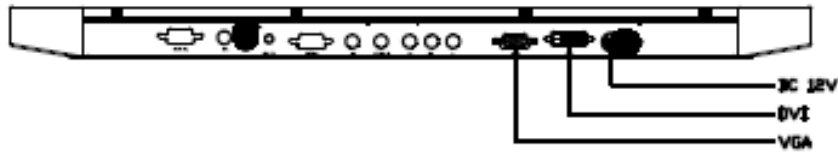


Rear View

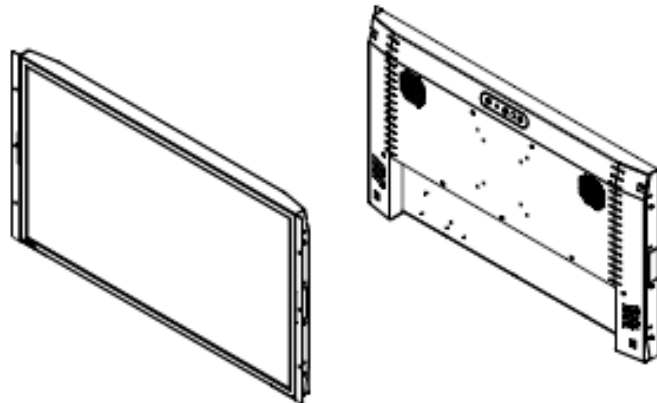




Bottom View



Real View



Ordering Information

Part Number	Description
SLD2425-ENB-G01	24", 1000nits, FHD, LID24A02, AD2662GD,O/B,DC12V input, V01

Optional Accessories

Part Number	Description
840612051210	ADAPTER,AC/DC,12V/5.4A,65W,Atech OEM A065112-TDx,4P SLIDING CAP,P,
810618301010	CABLE.POWER.AC.1830mm USA type
810618301090	CABLE,POWER,AC,1830mm Europe type
810618301050	CABLE.POWER.AC.1830mm UK type
810618301170	CABLE.POWER,AC,1830mm Australia type
810618301030	CABLE.POWER.AC.1830mm Japan type