



SLO1236 V2

12.1" Open Frame TFT LCD Display, LED Backlight, 1000nits,XGA(1024x768)

12.1" Open Frame TFT LCD panel, built-in 1000 nits high bright for sunlight readable LCD display, high transmittance color filter, high transmission polarizing plates, Low Power Consumption, suitable for kiosk, advertising, POS, marine, transportation, gaming, studio display, gas pump.

Key Features

- Sunlight Readable
- LED Backlight
- High Shock & Vibration Resistance
- Low Power Consumption
- High Uniformity
- Low EMI Noise
- Wide Operation Temperature
- Life Expectancy



Specifications

Preliminary

Model No.	SLO1236 V2
Description	12.1" Open Frame TFT LCD, LED Backlight 1000nits,XGA(1024x768)
Display Area (mm)	245.8(H) x 184.3(V)mm
Brightness	1000 cd/m ²
Resolution	1024x768 (XGA)
Contrast Ratio	700 : 1
Pixel Pitch (mm)	0.24(H) x 0.24(V)
Viewing Angle	+80°~-80°(H), +70°~-70°(V)
Display Colors	16.2M
Response Time (Typical)	16ms
Power Consumption	11.6W
Dimensions (mm)	338x278x59.3mm
Weight (Net)	3.6Kg
LED Driving Board	LID12A07
Control Board (Optional)	<input type="checkbox"/> AD6038GA <input type="checkbox"/> AD6038GD <input type="checkbox"/> AD2662GDHVAR
<input type="checkbox"/> AD6038GA	VGA+Audio
<input type="checkbox"/> AD6038GD	VGA+DVI
<input type="checkbox"/> AD2662GDVAR	VGA+ CVBS + S-Video + Audio (Optional DVI-D/ HDMI / RS232)
F / R Control Button	<input type="checkbox"/> 4 Key
<input type="checkbox"/> 4 Key	Power Switch, Menu, Select (+,-),
OSD Menu	Brightness, Contrast, H/V Position, Color, Phase, Clock...
Optional	<input type="checkbox"/> AOT <input type="checkbox"/> Touch Screen

Specifications are subject to change without notice.

All brands or product names are trademarks or registered trademarks of their respective companies.

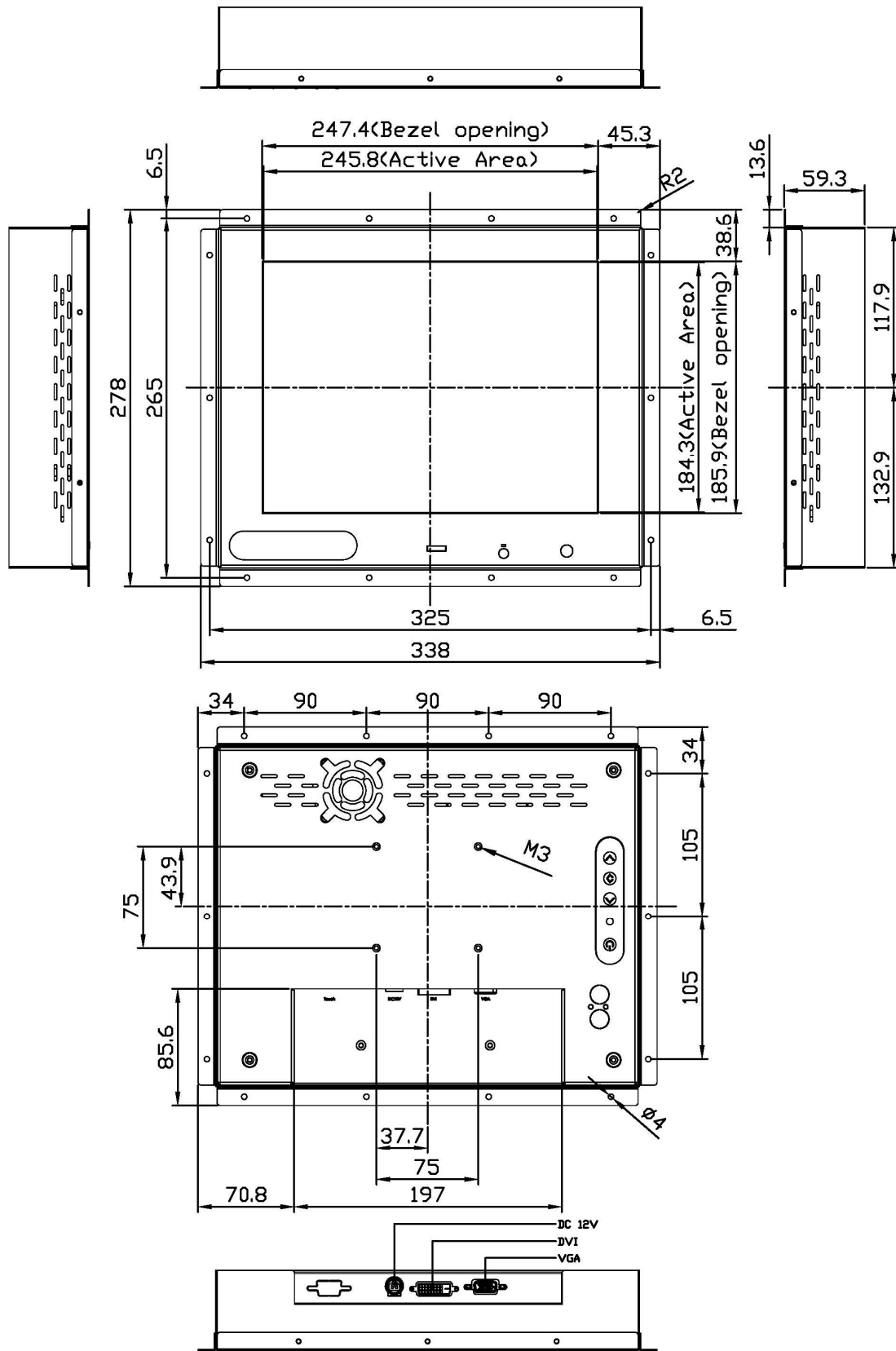
SLO= Panel+LED Driving Board+Control Board

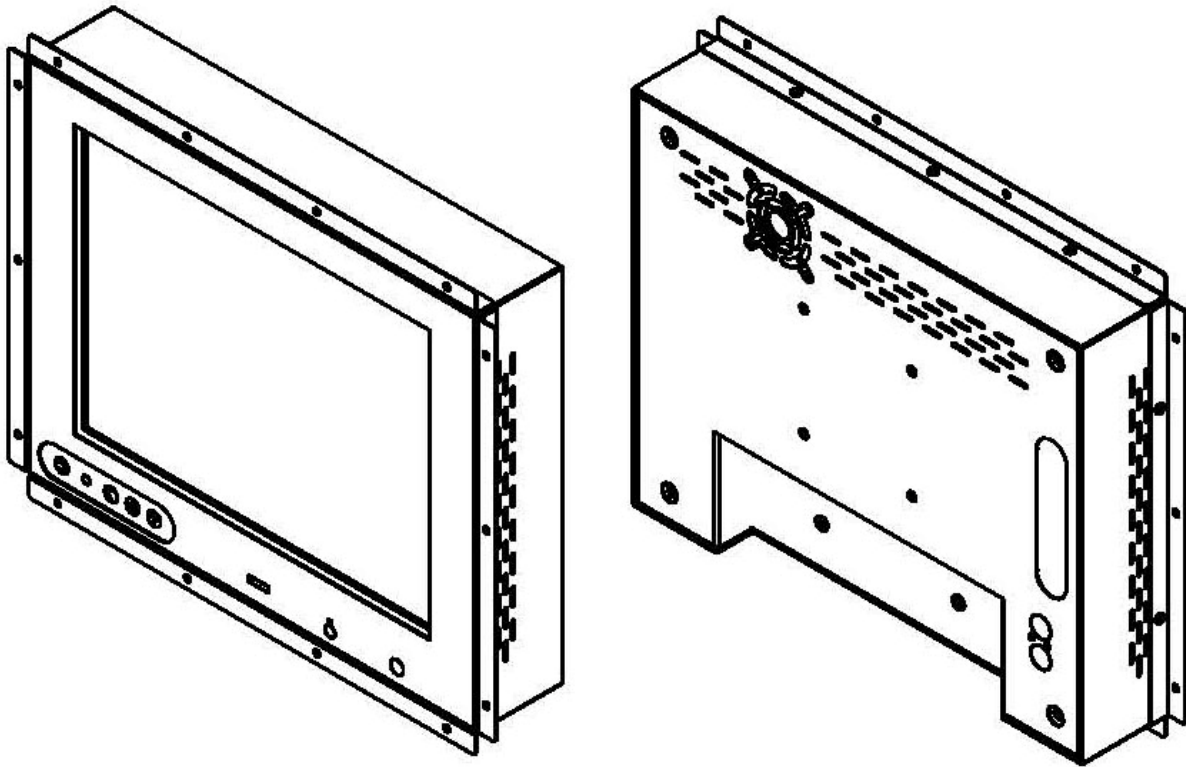


Mechanical Drawing

Outline Dimensions

Unit:mm





Ordering Information

Part Number	Description
SLO1236-ENB-I11	12.1",1000nits,XGA,LID12A07,O/B,AD6038GD,DC 12V,V02

Optional Accessories

Part Number	Description
840612051100	ADAPTER.12V.5A.60W.EA1050A,P
810618301010	CABLE.POWER.AC.1830mm USA type
810618301090	CABLE,POWER,AC,1830mm Europe type
810618301050	CABLE.POWER.AC.1830mm UK type
810618301170	CABLE.POWER,AC,1830mm Australia type
810618301030	CABLE.POWER.AC.1830mm Japan type