



## SLO1268-T V1

### 12.1" TFT LCD, LED Backlight 1600nits,XGA(1024x768)

SLO1268-T is an innovative sunlight readable, LED backlight LCD display. It provides LCD panel with specific ratios for digital signage, public transportation, exhibition hall, department store, vending machine and industrial applications. Incorporating with AD. Control board and backlight design, it is high brightness and sunlight readable panel, can display high-quality video with energy-efficient.

#### Key Features

- Wide Operation Temperature
- High Brightness 1600 nits
- Sunlight Readable
- LED Backlight
- Low Power Consumption
- Slim Bezel
- BL MTBF: 100,000 hours



### Specifications

V1

<b>Model No.</b>	<b>SLO1268-T V1</b>
<b>Description</b>	12.1" TFT LCD, LED Backlight 1600nits, 1024x768
<b>Display Area (mm)</b>	245.8(H) x 184.3(V) mm
<b>Bezel Size (U/B/L/R)</b>	9.15/8.3/12.4/10.6 mm
<b>Brightness</b>	1600 cd/m <sup>2</sup>
<b>Resolution</b>	1024x768 (XGA)
<b>Contrast Ratio</b>	1000 : 1
<b>Pixel Pitch (mm)</b>	0.24(H) x 0.24(V)
<b>Pixel Pre Inch (PPI)</b>	106
<b>Viewing Angle</b>	160°(H),160°(V)
<b>Color Saturation (NTSC)</b>	60%
<b>Display Colors</b>	262K/16.2M
<b>Response Time (Typical)</b>	8ms
<b>Sync</b>	LVDS
<b>Operating Temperature</b>	-20°C to +70°C
<b>Storage Temperature</b>	-30°C to +80°C
<b>Power Consumption</b>	12.8W
<b>Dimensions (mm)</b>	294x205.4x36.7 mm
<b>Weight (Net)</b>	1.25Kg
<b>LED Driving Board</b>	LID12A
<b>Control Board</b>	<input type="checkbox"/> AD6038GD (VGA+DVI)
<b>F / R Control Button</b>	<input type="checkbox"/> 4 Key
<input type="checkbox"/> 4 Key	Power Switch, Menu, Select (+,-),
<b>OSD Menu</b>	Brightness, Contrast, H/V Position, Color, Phase, Clock...

SLO= Panel+ LED Driving Board + Control Board + Housing

*Specifications are subject to change without notice. I*

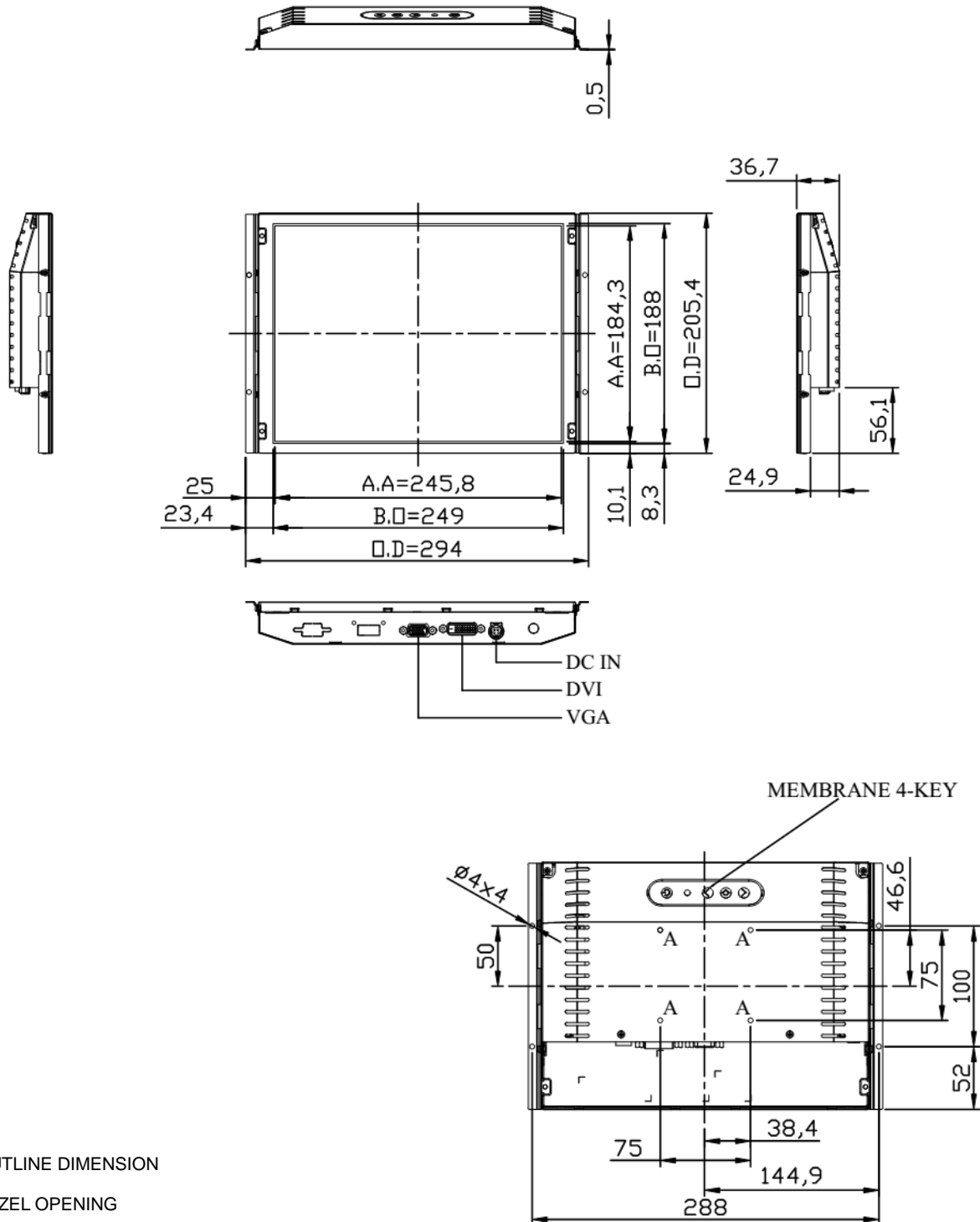
*All brands or product names are trademarks or registered trademarks of their respective companies.*



## Mechanical Drawing

### Outline Dimensions

Unit: mm



#### NOTE

O.D. : OUTLINE DIMENSION

B.O. : BEZEL OPENING

A.A. : LCD ACTIVE AREA

A:4-M4\_USER HOLE\_MAX\_DEPTH=4mm



### Ordering Information

Part Number	Description
SLO1268-TNB-I01	12.1",1600nits,XGA,LID12A,AD6038GD,O/B,DC12V,2in1,V1

### Optional Accessories

Part Number	Description
840612031101	ADAPTER.12V.3.33A.40W.G99-KPL040F-N051.DC Plug 2.1*5.5,P
810618301010	CABLE.POWER.AC.1830mm USA type
810618301090	CABLE,POWER,AC,1830mm Europe type
810618301050	CABLE.POWER.AC.1830mm UK type
810618301170	CABLE.POWER,AC,1830mm Australia type
810618301031	CABLE.POWER.AC.1830mm Japan type

### By Customer Request

<b>Touch</b>	Resistive (Single-Touch), SCT (Single-Touch), PCT (Multi-Touch)
<b>AOT</b>	Liquid Bonding, OCA Bonding
<b>Glass</b>	Tempered glass, AR coating.....
<b>DC to DC Power Board</b>	DC9~36V input