



SLO4235-L V2

42" TFT LCD Display, LED Backlight, 1000nits,FHD(1920x1080)

SLO4235-L V2 is an innovative ultra-wide, sunlight readable, LED backlight LCD display. It provides LCD panel with specific ratios for digital signage, public transportation, exhibition hall, department store, vending machine and industrial applications. Incorporating with A.D. control board and backlight design, it is high brightness and sunlight readable panel, can display high-quality video with energy-efficient.

Key Features

- Resizing LCD
- Ultra Wide Screen (16 : 9)
- Sunlight Readable
- LED Backlight
- High Brightness 1000 nits
- Low Power Consumption
- Wide Dimming
- Life Expectancy (70,000hrs)
- Slim Bezel



Specifications

V1

| | |
|---------------------------------------|--|
| Model No. | SLO4235-L V2 |
| Description | 42" LCD, 1000 nits LED backlight, 1920x1080 |
| Display Area | 927.94 x 521.96mm |
| Brightness | 1,000 cd/m ² |
| Resolution | 1920 x 1080 |
| Aspect Ratio | 16 : 9 |
| Contrast Ratio | 1200:1 |
| Pixel Pitch (mm) | 0.4833 x 0.4833 |
| Pixel Per Inch(PPI) | 53 |
| Viewing Angle | 178°(H), 178°(V) |
| Color Saturation(NTSC) | 75% |
| Display Colors | 16.7M |
| Response Time (Typical) | 8 ms |
| Sync | LVDS |
| Operating Temperature | 0°C ~+50°C |
| Storage Temperature | -20°C ~+60°C |
| Power Consumption | 119W |
| Dimensions (mm) | 1018x 560 x 65mm |
| Weight (Net) | 17.5Kg |
| LED Driving Board | LID42 |
| Control Board (Optional) | AD2662GD / AD266GDHVMAR |
| <input type="checkbox"/> AD2662GDVAR | VGA + DVI(Optional AV/ S-Video / Component / Audio) |
| <input type="checkbox"/> AD2662GDHMAR | VGA (OptionalDVI/HDMI AV/ S-Video / Component / Audio) |
| F / R Control Button | 4 Key |
| <input type="checkbox"/> 4 Key | Power Switch, Menu, Select (+,-), |
| OSD Menu | Brightness, Contrast, H/V Position, Color, Phase, Clock... |
| Optional | <input type="checkbox"/> Touch Screen |

Specifications are subject to change without notice.

All brands or product names are trademarks or registered trademarks of their respective companies



Mechanical Drawing

Outline Dimensions

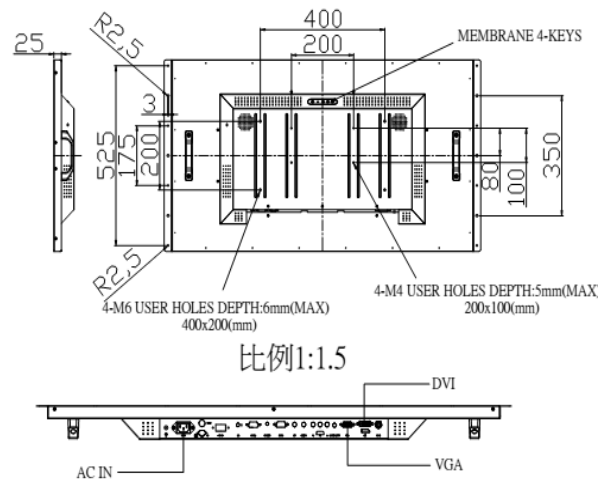
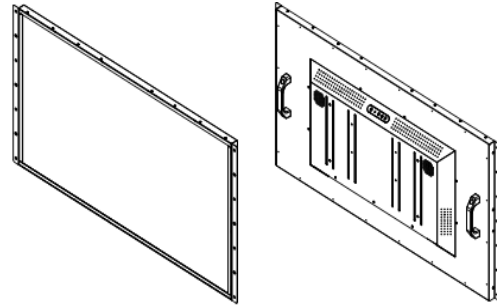
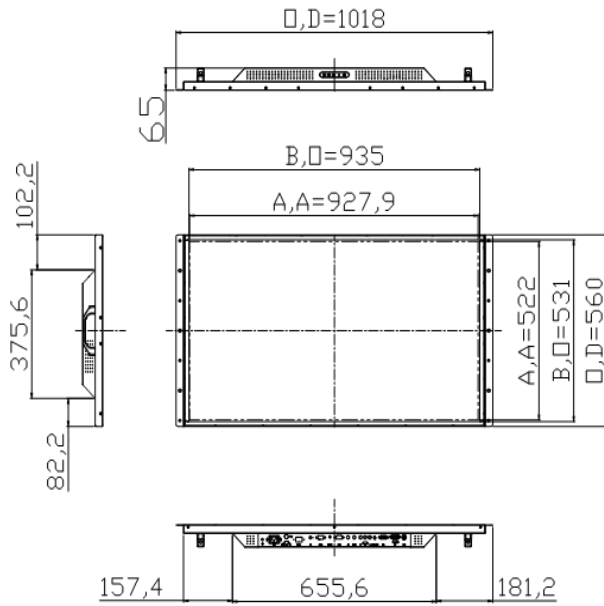
Unit: mm

Note :

O.D : Outline Dimension

B.O : Bezel Opening

A.A : LCD Active Area





Ordering Information

| Model Name | Description |
|------------------------|--|
| SLO4235-ENB-G11 | 42", 1000nits, FHD, LID42. AD2662GD, O/B, AC100~240V, V02 |
| SLO4235-ENB-G12 | 42", 1000nits, FHD, LID42A. AD2662GDHMMVAR, O/B, AC100~240V, V02 |
| SLO4235-ENB-G13 | 42", 1000nits, FHD, LID42A. AD2662GDHMMVAR, LS, O/B, AC100~240V, V02 |
| SLO4235-ENB-G14 | 42", 1000nits, FHD, LID42A. AD2662GDVAR, O/B, LS, AC100~240V, V02 |

Optional Accessories

| Part Number | Description |
|--------------------------------|---|
| 810618301010 (Optional) | CABLE.POWER.AC.1830mm.(US Type).3PIN PLUG TO SOCKET.SVT(SPT-2)18AWG 3C BLACK.P. |
| 810618301090 (Optional) | CABLE,POWER,AC,1830mm.(EU Type) 3PIN PLUG TO.SOCKET,H05VV-F 3G.0.75MMSQ BLACK,P |
| 810618301050 (Optional) | CABLE,POWER,AC,1830mm.UK(FUSE) 3PIN PLUG TO.SOCKET,H05VV-F 3C(3G) 0.75MMSQ BLACK,P |
| 810618301170 (Optional) | CABLE.POWER,AC,1830mm. (AU Type) 3PIN PLUG TO 2P SOCKET.LTSA 0.75MMSQ BLACK,P |
| 810618301031 (Optional) | CABLE,POWER,AC,1830mm,JP .2PIN PLUG Y TYPETERMINAL.(Ground wire: Green/Yellow). SOCKET.VCTF 3C 0.75MMSQ BLACK,P |